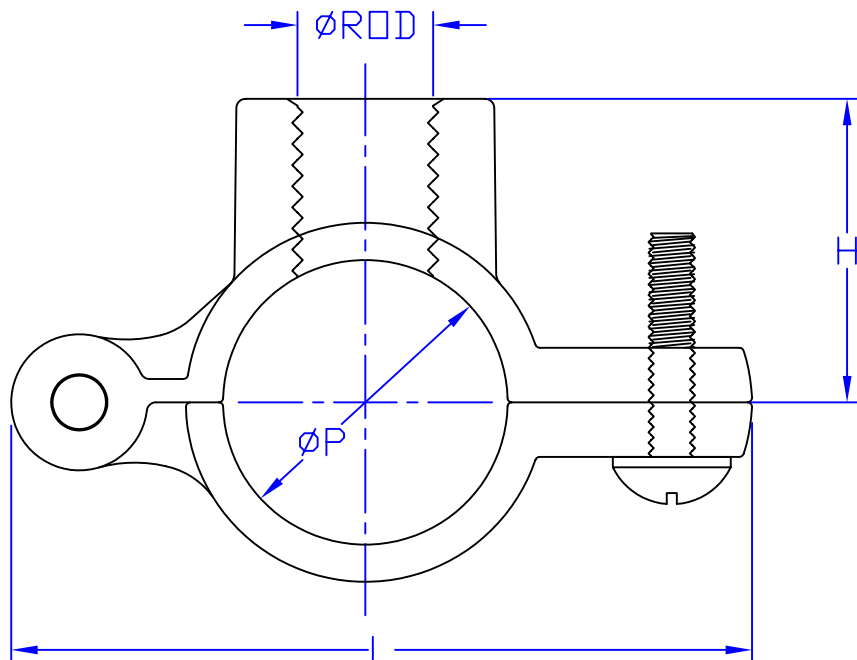


ØP	ØR	H	L	MAX. LOAD (Lbs.)
3/8	3/8 UNC	0.656	2.063	180
1/2	3/8 UNC	0.750	2.219	180
3/4	3/8 UNC	0.844	2.500	180
1	3/8 UNC	0.969	2.750	180
1-1/4	3/8 UNC	1.156	3.219	180
1-1/2	3/8 UNC	1.281	3.438	180
2	3/8 UNC	1.531	3.938	180
2-1/2	1/2 UNC	1.938	4.750	300
3	1/2 UNC	2.256	5.375	300
4	1/2 UNC	2.750	6.406	300

<b>MATERIAL</b>	MALLEABLE IRON
<b>STANDARD</b>	ASTM A47 Grade 32510
<b>FINISH</b>	PLAIN ZINC PLATED



ØP	ØR	H	L	MAX. LOAD (Lbs.)
3/8	3/8 UNC	0.656	1.781	180
1/2	3/8 UNC	0.750	1.969	180
3/4	3/8 UNC	0.844	2.250	180
1	3/8 UNC	0.969	2.438	180
1-1/4	3/8 UNC	1.125	2.781	180
1-1/2	3/8 UNC	1.250	3.063	180
2	3/8 UNC	1.469	3.531	180
2-1/2	1/2 UNC	1.875	4.438	300
3	1/2 UNC	2.156	4.938	300
4	1/2 UNC	2.625	5.938	300

<b>MATERIAL</b>	MALLEABLE IRON
<b>STANDARD</b>	ASTM A47 Grade 32510
<b>FINISH</b>	COPPER PLATED

<b>FNW™</b>		4120 NE Columbia Blvd Portland, OR 97211 Phone (503) 287-8383 Fax (503) 281-9677
TITLE/DESCRIPTION: MI SPLING RING PIPE HANGER - 180 & 300 LBS. LOAD CAPACITY		
DATE: 2-8-2007	BY: PEA	UNITS: INCHES
SCALE: NONE	APPD: KMC	PAGE(S): 1
MODEL: 7001		
DWG NO: 7001		
NOTES:		
FILE: FNW7001.dwg		LOC: PORTLAND
PAGE SIZE: 8.5 x 11L	REV: 0	RDATE:
THIS DRAWING CONTAINS CONFIDENTIAL AND PROPRIETARY INFORMATION OF FNW VALVE AND IS SUBMITTED TO YOU FOR THE LIMITED PURPOSE OF PROVIDING YOU INFORMATION ON PRODUCTS AND SYSTEMS PURCHASED FROM FNW VALVE. BY RECEIVING THIS DOCUMENT, YOU AGREE NOT TO DISCLOSE SUCH INFORMATION TO OTHERS EXCEPT BY WRITTEN PERMISSION OF FNW VALVE.		