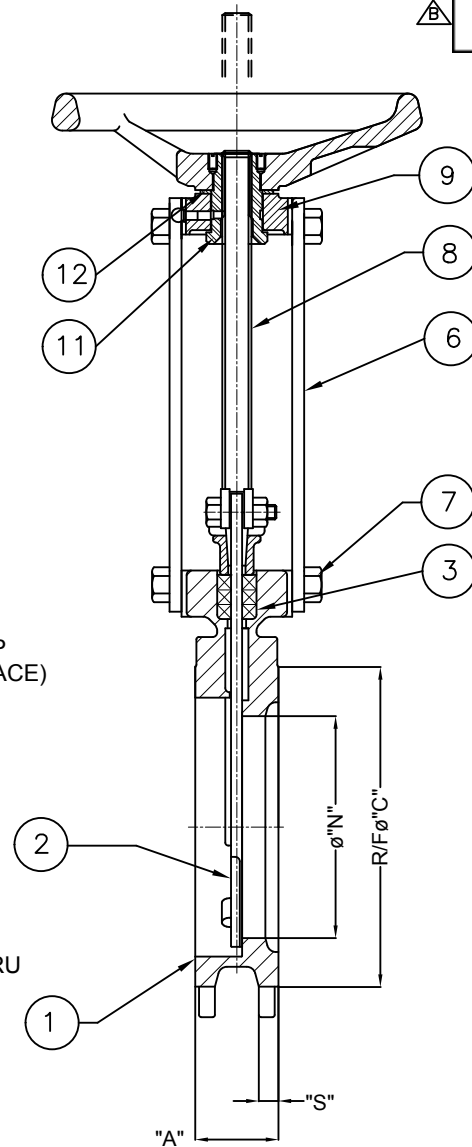
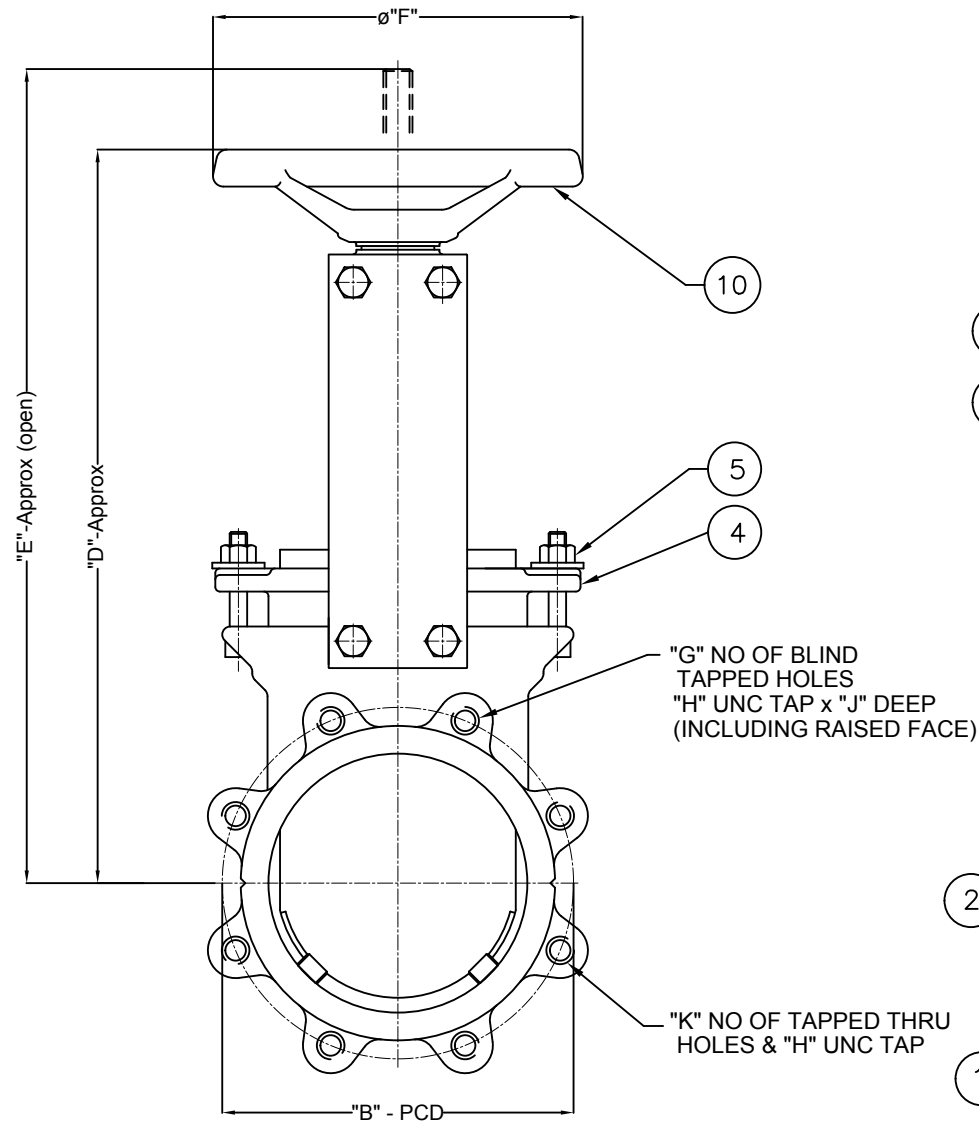
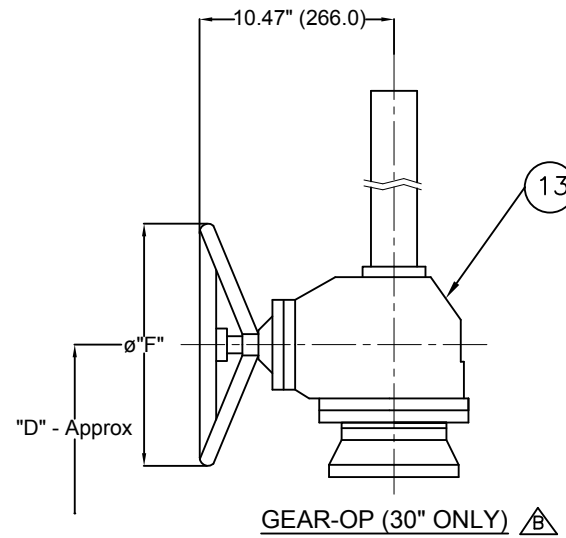
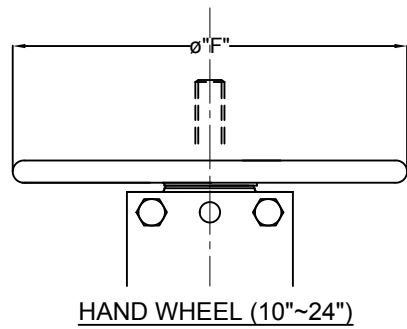


TEST DATA

HYDRO TEST	PRESSURE (psi)	DURATION	ACCEPTANCE NORM	TEST FLUID	REMARKS
BODY	225	60SEC	NO LEAK	WATER	BEFORE ASSEMBLY
SEAT	40	60SEC	40CC/MIN/INCH	WATER	AFTER ASSEMBLY
30" BODY	150	60SEC	NO LEAK	WATER	BEFORE ASSEMBLY



VALVE SIZE	A	B	C	D	E	F	G	H	J	K	N	S
3	2.00	6.00	5.00	15.55	17.72	7.99	2	5.8"	0.37	2	2.95	0.47
80	51	152.5	127	395	450	203	2	5.8"	9.5	2	75	12
4	2.00	7.50	6.18	17.52	20.67	7.99	2	5.8"	0.37	6	4.00	0.47
100	51	190.5	157	445	525	203	2	5.8"	9.5	6	101	12
6	2.25	9.50	8.50	20.87	25.98	10.00	2	3.4"	0.43	6	6.00	0.57
150	57	241.5	216	530	660	254	2	3.4"	11	6	152	14.5
8	2.75	11.75	10.63	25.00	31.89	11.75	2	3.4"	0.43	6	8.00	0.57
200	70	298.5	270	635	810	298.5	2	3.4"	11	6	203	14.5
10	2.75	14.25	12.76	27.56	37.40	15.98	4	7.8"	0.43	8	9.37	0.69
250	70	362	324	700	950	406	4	7.8"	11	8	238	17.5
12	3.00	17.00	14.76	30.51	42.72	15.98	4	7.8"	0.43	8	11.42	0.69
300	76	432	375	775	1085	406	4	7.8"	11	8	290	17.5
14	3.00	18.75	16.26	32.68	47.05	20.00	4	1"	0.51	8	12.76	0.75
350	76	476	413	830	1195	508	4	1"	13	8	324	19
16	3.50	21.25	18.50	36.81	52.17	20.00	6	1"	0.67	10	14.57	0.87
400	89	540	470	935	1325	508	6	1"	17	10	370	22
18	3.50	22.75	21.00	41.34	59.25	20.00	6	1-1/8"	0.67	10	16.93	0.94
450	89	578	533.5	1050	1505	508	6	1-1/8"	17	10	430	24
20	4.50	25.00	22.99	46.06	65.35	20.00	8	1-1/8"	0.91	12	18.50	0.98
500	114	635	584	1170	1660	508	8	1-1/8"	23	12	470	25
24	4.50	29.50	27.24	53.54	77.17	20.00	8	1-1/4"	0.91	12	22.64	0.98
600	114	749.5	692	1360	1960	508	8	1-1/4"	23	12	575	25
30	4.62	36.00	33.75	73.20	100.40	19.68	10	1-1/4"	0.82	18	26.69	1.12
750	117	914.5	858	1860	2550	500	10	1-1/4"	21	18	678	28.4

13	GEAR OPERATOR	ENCLOSED TYPE MODEL BG02
12	THRUST WASHER	ALUMINIUM BRONZE, ASTM B150, UNS C62300
11	YOKE SLEEVE	ALUMINIUM BRONZE, ASTM B148, UNS C95200
10	HAND WHEEL	CAST IRON, ASTM A126 CL.B
9	COLLAR	DUCTILE IRON, ASTM A536 Gr.65-45-12
8	STEM	ST. STEEL, ASTM A276 TYPE 304
7	BOLTS (SIDE PLATE)	CARBON STEEL, ASTM A193 Gr.B7
6	SIDE PLATE	CARBON STEEL, ASTM A36
5	BOLTS & NUTS (GLAND)	CARBON STEEL, ASTM A193 Gr.B7/ASTM A194 Gr.2H
4	GLAND	ST. STEEL, ASTM A351 Gr.CF8
3	PACKING	PTFE IMPREGNATED SYNTEX FIBRE
2	GATE	ST. STEEL, ASTM A240 TYPE 316
1	BODY	ST. STEEL, ASTM A351 Gr.CF8M

ITEM	DESCRIPTION	MATERIAL
FNW™		
	DRAWN	NAME: PEA DATE: 2014.04.21
	APPD	
SCALE: NTS	SIZE: 3" TO 24" MODEL: 6701	DRAWING NUMBER: 6701_3-30
REV. NO	DESCRIPTION	TITLE: KNIFE GATE VALVE WITH HANDWHEEL
		REV: B

NOTE:
 1. ALL DIMENSIONS ARE IN Inch / mm
 2. VALVE IS SHOWN IN CLOSED POSITION.
 3. PCD, SIZE OF BOLT HOLE, NO OF BOLTS TO SUIT ANSI B 16.5 CLASS 150 FLANGES
 4. VALVE SHALL BE PAINTED WITH TWO PACK BLUE EPOXY PAINT ON ALL NON STAINLESS STEEL PARTS
 5. VALVE INTERNALS ARE SHOWN FOR REFERENCE ONLY
 6. FACE TO FACE AS PER MSS SP-81

AS NOTED	CORRECTED BY	APPROVED