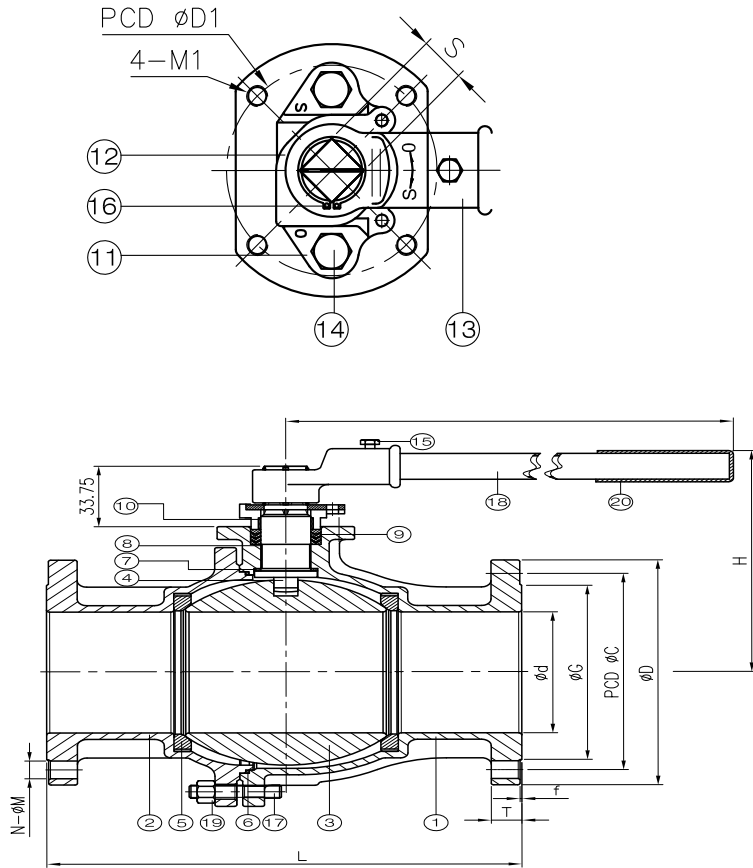


6-10" 2 PC FULL PORT 150# FLANGED STAINLESS STEEL



ITEM	PARTS	MATERIAL
1	BODY	ASTM A351-CF8M
2	CAP	
3	BALL	ASTM A351-CF8M
4	STEM	ASTM A276-316
5	BALL SEAT	TFM 1600
6	BODY SEAL	PTFE
7	THRUST WASHER A	
8	THRUST WASHER B	
9	PACKING A	
10	PACKING B	AISI 304
11	GLAND	
12	STOPPER	
13	HANDLE HEAD	
14	BOLT	
15	BOLT	
16	SNAP RING	
17	BOLT	
18	STEEL TUBE	
19	NUT	
19	HANDLE SLEEVE	PVC

NPS	d	G	C	D	L	H	H1	W	T	f	N	M	S	D1	M1	Torque (in-lb)	Weight (lb)
6"	5.91	8.5	9.51	10.98	15.51	10.71	2.91	29.37	1	0.06	8	0.87	1.06	4.92	1/2"-13UNC	2389.8	137
8"	7.87	10.63	11.75	13.5	17.99	13.23	2.95	33.27	1.12	0.06	8	0.89	1.42	5.51	5/8"-11UNC	4425.5	221
10"	9.84	12.76	14.25	15.98	20.98	15.3	4.57	41.14	1.19	0.06	12	1	1.81	6.5	3/4"-10UNC	7080.8	137



Title: Figure 600A 2PC Full Port 150# Flanged Stainless Steel						THIS DRAWING CONTAINS CONFIDENTIAL AND PROPRIETARY INFORMATION OF FNW VALVE AND IS SUBMITTED TO YOU FOR THE LIMITED PURPOSE OF PROVIDING YOU INFORMATION ON PRODUCTS AND SYSTEMS PURCHASED FROM FNW VALVE. BY RECEIVING THIS DOCUMENT, YOU AGREE NOT TO DISCLOSE SUCH INFORMATION TO OTHERS EXCEPT BY WRITTEN PERMISSION.
Date: 10-6-15	By: CA	App'd: Mike	Units: In.	Scale: None	Rev Date:	
File: 600A_6.dwg	Model: 600A		DWG NO:	Rev: 0		