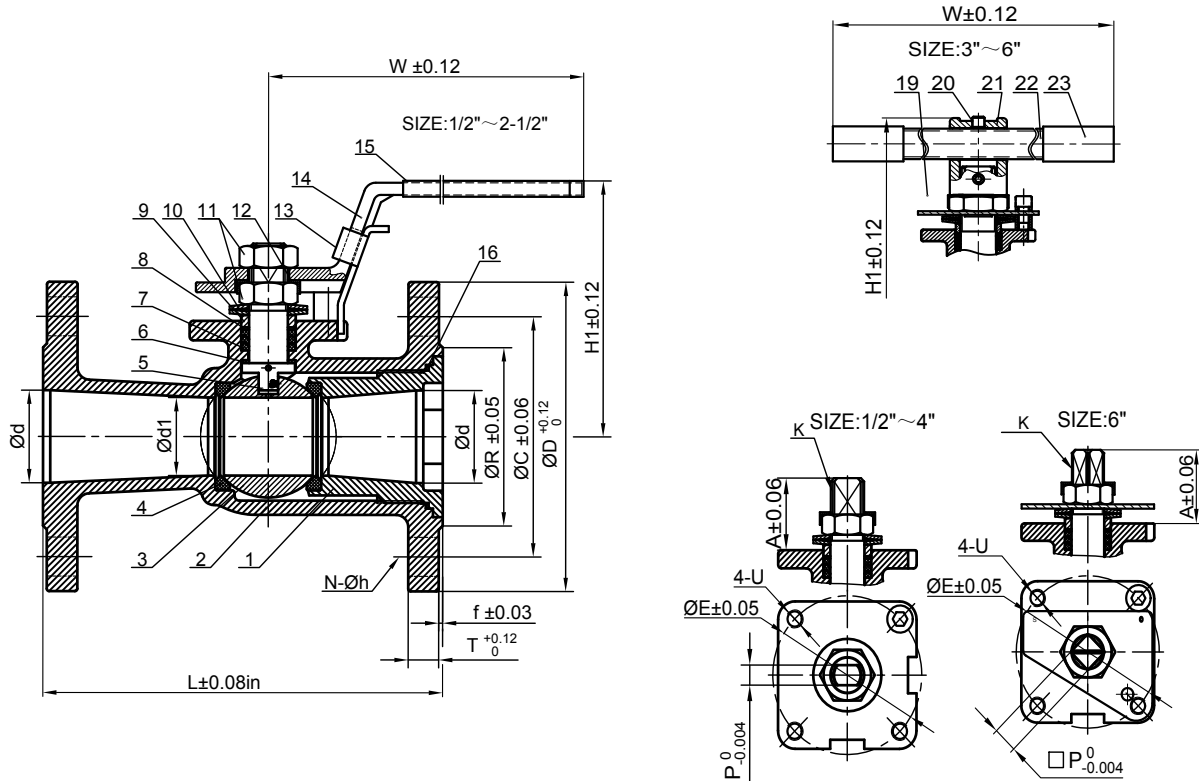


2"- 6" 1 PC STANDARD PORT 150# FLANGED CARBON STEEL



1	End Cap	WCB
2	Body	WCB
3	Ball	CF8M
4	Ball Seat	TFM1600+20%GF
5	Stem (Anti-Static Device)	316
6	Thrust Washer	PTFE
7	Packing	PTFE
8	Bushing	50%SS+50%PTFE
9	Gland	316
10	Belleville Washer	301
11	Stem Nut	A194-8
12	Stop-lock-cap	304
13	Lock Device	(1/2"~2-1/2") 304
14	Handle	(1/2"~2-1/2") CF8
15	Handle Sleeve	(1/2"~2-1/2") VINYL PLASTIC
16	Body Gasket	PTFE
17	Stop Bolt	A2-70
18	Stop washer	304
19	Triangle Stopper	(3"~6") 304
20	Set Screw	(3"~6") A2-70
21	Handle Adapter	(3"~6") CF8
22	Pipe Handle	(3"~6") A53+Zn Plated
23	Handle Sleeve	(3"~6") Vinyl Plastic

SIZE	d	d1	L	R	D	C	f	T	N	h	H1	W	P	K	A	U	E	ISO 5211	Torque	Weight
2"	1.97	1.50	7.00	3.62	6.00	4.75	0.06	0.56	4	3/4	4.49	7.95	0.378	5/8-18UNF	1.26	M8	2.76	F07	204	14.63
2-1/2"	2.44	1.97	7.50	4.12	7.00	5.50	0.06	0.62	4	3/4	5.22	9.92	0.630	7/8-14UNF	1.67	M10	4.02	F10	292	23.14
3"	2.99	2.38	8.00	5.00	7.50	6.00	0.06	0.69	4	3/4	6.20	11.9	0.630	7/8-14UNF	1.67	M10	4.02	F10	252	31.9
4"	3.86	2.99	9.00	6.19	9.00	7.50	0.06	0.88	8	3/4	7.52	15.9	0.709	1-1/8-12UNF	2.17	M10	4.02	F10	708	49.5
6"	5.75	3.94	10.5	8.50	11.0	9.50	0.06	0.94	8	7/8	9.25	23.75	1.063	1-3/8-12UNF	2.20	M12	4.92	F12	708	49.5



Title: Figure 501B 1PC Standard Port 150# Flanged Carbon Steel					
Date: 6-1-16	By: CA	App'd: Mike	Units: In.	Scale: None	Rev Date:
File: 501B_2-6.dwg	Model: 501B		DWG NO:	Rev: 0	

THIS DRAWING CONTAINS CONFIDENTIAL AND PROPRIETARY INFORMATION OF FNW VALVE AND IS SUBMITTED TO YOU FOR THE LIMITED PURPOSE OF PROVIDING YOU INFORMATION ON PRODUCTS AND SYSTEMS PURCHASED FROM FNW VALVE. BY RECEIVING THIS DOCUMENT, YOU AGREE NOT TO DISCLOSE SUCH INFORMATION TO OTHERS EXCEPT BY WRITTEN PERMISSION.