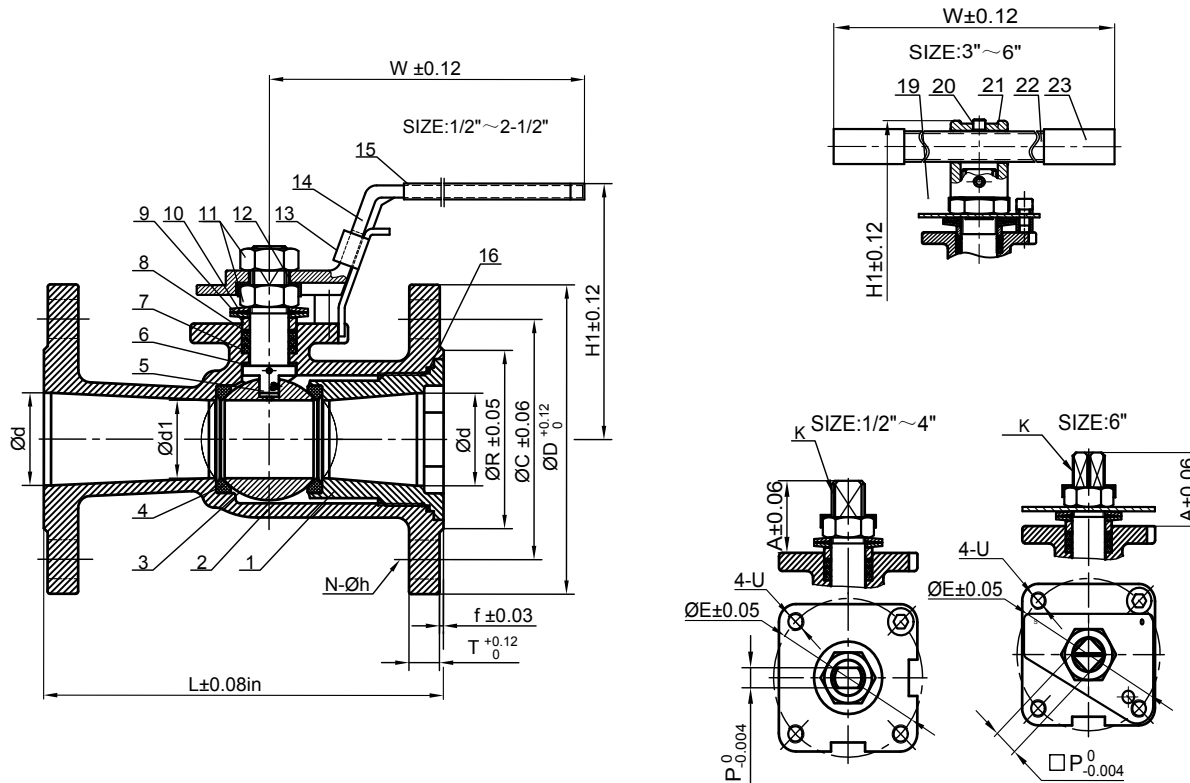


# 2"- 6" 1 PC STANDARD PORT 150# FLANGED STAINLESS STEEL



|    |                           |                             |
|----|---------------------------|-----------------------------|
| 1  | End Cap                   | CF8M                        |
| 2  | Body                      | CF8M                        |
| 3  | Ball                      | CF8M                        |
| 4  | Ball Seat                 | TFM1600+20%GF               |
| 5  | Stem (Anti-Static Device) | 316                         |
| 6  | Thrust Washer             | PTFE                        |
| 7  | Packing                   | PTFE                        |
| 8  | Bushing                   | 50%SS+50%PTFE               |
| 9  | Gland                     | 316                         |
| 10 | Belleville Washer         | 301                         |
| 11 | Stem Nut                  | A194-8                      |
| 12 | Stop-lock-cap             | 304                         |
| 13 | Lock Device               | (1/2"~2-1/2") 304           |
| 14 | Handle                    | (1/2"~2-1/2") CF8           |
| 15 | Handle Sleeve             | (1/2"~2-1/2") VINYL PLASTIC |
| 16 | Body Gasket               | PTFE                        |
| 17 | Stop Bolt                 | A2-70                       |
| 18 | Stop washer               | 304                         |
| 19 | Triangle Stopper          | (3"~6") 304                 |
| 20 | Set Screw                 | (3"~6") A2-70               |
| 21 | Handle Adapter            | (3"~6") CF8                 |
| 22 | Pipe Handle               | (3"~6") A53+Zn Plated       |
| 23 | Handle Sleeve             | (3"~6") Vinyl Plastic       |

| SIZE   | d    | d1   | L    | R    | D    | C    | f    | T    | N | h   | H1   | W     | P     | K           | A    | U   | E    | ISO 5211 | Torque | Weight |
|--------|------|------|------|------|------|------|------|------|---|-----|------|-------|-------|-------------|------|-----|------|----------|--------|--------|
| 2"     | 1.97 | 1.50 | 7.00 | 3.62 | 6.00 | 4.75 | 0.06 | 0.56 | 4 | 3/4 | 4.49 | 7.95  | 0.378 | 5/8-18UNF   | 1.26 | M8  | 2.76 | F07      | 204    | 14.63  |
| 2-1/2" | 2.44 | 1.97 | 7.50 | 4.12 | 7.00 | 5.50 | 0.06 | 0.62 | 4 | 3/4 | 5.22 | 9.92  | 0.630 | 7/8-14UNF   | 1.67 | M10 | 4.02 | F10      | 292    | 23.14  |
| 3"     | 2.99 | 2.38 | 8.00 | 5.00 | 7.50 | 6.00 | 0.06 | 0.69 | 4 | 3/4 | 6.20 | 11.9  | 0.630 | 7/8-14UNF   | 1.67 | M10 | 4.02 | F10      | 252    | 31.9   |
| 4"     | 3.86 | 2.99 | 9.00 | 6.19 | 9.00 | 7.50 | 0.06 | 0.88 | 8 | 3/4 | 7.52 | 15.9  | 0.709 | 1-1/8-12UNF | 2.17 | M10 | 4.02 | F10      | 708    | 49.5   |
| 6"     | 5.75 | 3.94 | 10.5 | 8.50 | 11.0 | 9.50 | 0.06 | 0.94 | 8 | 7/8 | 9.25 | 23.75 | 1.063 | 1-3/8-12UNF | 2.20 | M12 | 4.92 | F12      | 708    | 49.5   |



|  |                    |                    |                   |                    |                  |   |  |  |  |  |
|--|--------------------|--------------------|-------------------|--------------------|------------------|---|--|--|--|--|
| <b>Title:</b> Figure 500B 1PC Standard Port 150# Flanged Stainless Steel |                    |                    |                   |                    |                  | THIS DRAWING CONTAINS CONFIDENTIAL AND PROPRIETARY INFORMATION OF FNW VALVE AND IS SUBMITTED TO YOU FOR THE LIMITED PURPOSE OF PROVIDING YOU INFORMATION ON PRODUCTS AND SYSTEMS PURCHASED FROM FNW VALVE. BY RECEIVING THIS DOCUMENT, YOU AGREE NOT TO DISCLOSE SUCH INFORMATION TO OTHERS EXCEPT BY WRITTEN PERMISSION. |  |  |  |  |
| <b>Date:</b> 6-1-16  | <b>By:</b> CA      | <b>App'd:</b> Mike | <b>Units:</b> In. | <b>Scale:</b> None | <b>Rev Date:</b> |   |  |  |  |  |
| <b>File:</b> 500B_2-6.dwg  | <b>Model:</b> 500B |                    |                   | <b>DWG NO:</b>     | <b>Rev:</b> 0    |   |  |  |  |  |