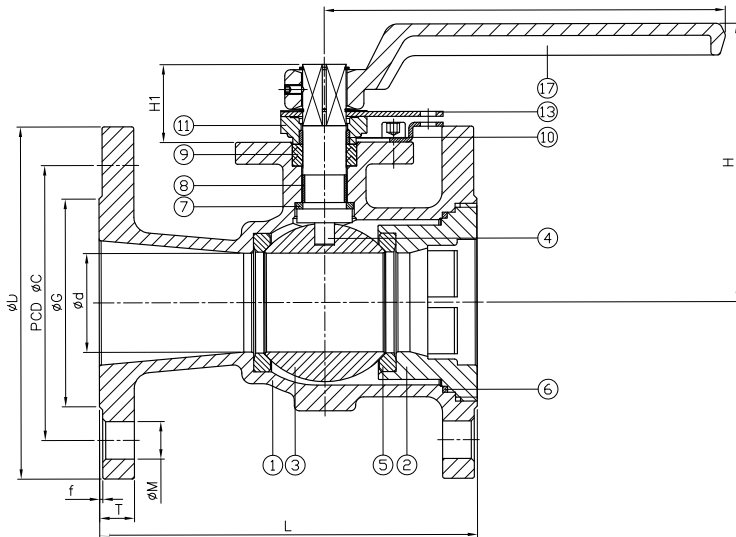
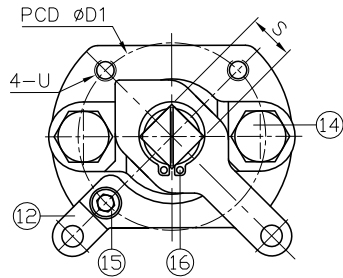


2-4" 1 PC STANDARD PORT 150# FLANGED STAINLESS STEEL



ITEM	PARTS	MATERIAL
1	BODY	ASTM A351-CF8M
2	CAP	ASTM A351-CF8M
3	BALL	ASTM A351-CF8M
4	STEM	ASTM A276-316
5	BALL SEAT	TFM 1600
6	BODY SEAL	PTFE
7	THRUST WASHER A	
8	THRUST WASHER B	
9	PACKING	
10	BUSHING	AISI 304
11	GLAND	
12	BRACKET	
13	STOPPER	
14	BOLT	AISI 304
15	BOLT	
16	CIRLIPS FOR SHAFTS	ASTM A216-WCB
17	HANDLE	

NPS	d	G	C	D	L	H	H1	W	T	f	N	M	S	D1	U	Torque (in-lb)	Weight (lb)
2"	1.97	3.62	4.75	6	7.01	5.08	1.5	7.99	0.63	0.06	4	0.75	0.67	2.76	5/16"-18UNC	221.3	16.3
2-1/2"	2.48	4.13	5.5	7	7.48	5.39	1.5	7.99	0.69	0.06	4	0.75	0.67	2.76	5/16"-18UNC	354	23.1
3"	3.15	5	6	7.5	7.99	6.22	2.3	12.87	0.75	0.06	4	0.75	0.87	4.02	3/8"-16UNC	619.6	32.6
4"	3.86	6.18	7.5	9	9.02	7.13	2.3	12.87	0.94	0.06	8	0.75	0.87	4.02	3/8"-16UNC	752.3	51.1

unitin



Title: Figure 500A 1 pc 150# Flanged Stainless Steel Ball Valve

Date: 10-6-15

By: CA

App'd: Mike

Units: In.

Scale: None

Rev Date:

File: 500A_2-4.dwg

Model: 500A

DWG NO:

Rev: 0

THIS DRAWING CONTAINS CONFIDENTIAL AND PROPRIETARY INFORMATION OF FNW VALVE AND IS SUBMITTED TO YOU FOR THE LIMITED PURPOSE OF PROVIDING YOU INFORMATION ON PRODUCTS AND SYSTEMS PURCHASED FROM FNW VALVE. BY RECEIVING THIS DOCUMENT, YOU AGREE NOT TO DISCLOSE SUCH INFORMATION TO OTHERS EXCEPT BY WRITTEN PERMISSION.