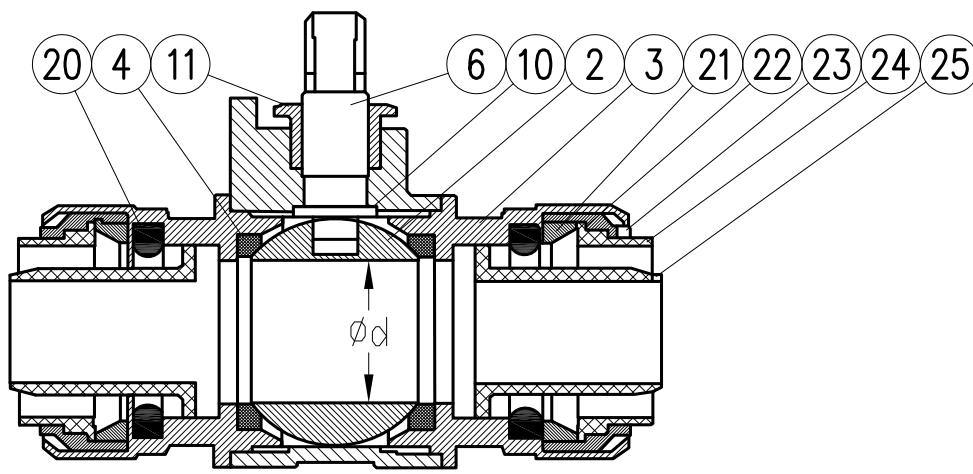


Size	Ød	H	E	L
1/2	0.50	1.46	3.23	2.61
3/4	0.75	1.79	3.94	3.06
1	0.98	2.27	4.72	3.66



Ref.No.	Description	Material	Qty
1	Body	ASTM B124 C37700	1
2	Ball	ASTM B124 C37700 Chrome Plated	1
3	End Cap	ASTM B124 C37700	2
4	Seat	PTFE	2
6	Stem	ASTM B16 C36000	1
7	Stem Packing	PTFE	1 Set
8	Handle	Carbon Steel	1
9	Handle Cover	Vinyl	1
10	Thrust Washer	PTFE	1
11	Gland Nut	ASTM B16 C36000	1
13	Handle Nut	SS41	1
20	O-Ring	EPDM	2
21	Washer	POM	2
22	Snap Ring	SS301	2
23	Shield	POM	2
24	Guide	POM	2
25	Sustain Sheath	POM	2



TITLE: FIGURE 485 PUSH-FIT BALL VALVE (1/2", 3/4" & 1"), 200 PSI NS WATER OR AIR
 DATE: 12-15-2008 BY: PEA APP'D: KMC UNITS: IN SCALE: NONE REV DATE: 11-23-2009
 FILE: 485_050-100.DWG MODEL: 485 DWG NO: 485_050-100 REV: 1

THIS DRAWING CONTAINS CONFIDENTIAL AND PROPRIETARY INFORMATION OF FNW VALVE AND IS SUBMITTED TO YOU FOR THE LIMITED PURPOSE OF PROVIDING YOU INFORMATION ON PRODUCTS AND SYSTEMS PURCHASED FROM FNW VALVE. BY RECEIVING THIS DOCUMENT, YOU AGREE NOT TO DISCLOSE SUCH INFORMATION TO OTHERS EXCEPT BY WRITTEN PERMISSION.