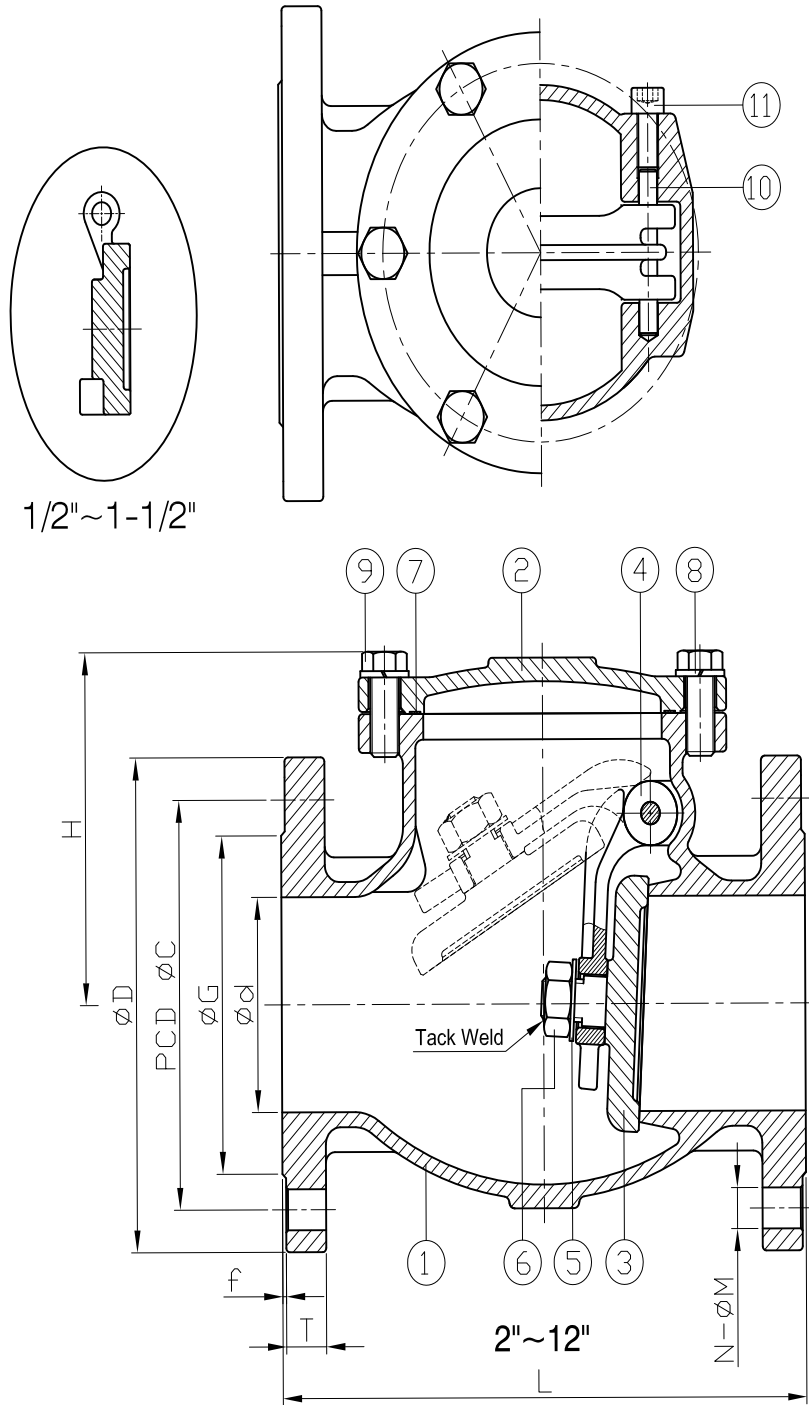


Figure 471A

150# Stainless Steel Swing Check Valve



NOTES:

CF8M Seat is Integral to body

Investment Cast Body up to 8"

Design per API 603

Pressure/Temperature Rating per ANSI B16.34

Flange Dimensions per ANSI B16.5

Face to Face Dimensions per ANSI B16.10

Pressure Tested per API 598

No.	Parts	Material
1	Body	ASTM A351-CF8M
2	Bonnet	
3	Disc	
4	Hinge	AISI 316
5	Flat Washer	
6	Nut	AISI 304
7	Body Seal	
8	Spring Washer	AISI 304
9	Bolt	
10	Pin	AISI 316
11	Socket Hexagon Screw	

Dimensions (inches) & Weights (lbs)

Size	1-1/2	2	2-1/2	3	4	6	8	10	12
d	1.57	1.97	2.56	3.15	3.94	5.91	7.87	9.84	11.81
L	6.50	7.99	8.50	9.49	11.50	14.02	19.49	24.49	27.48
H	3.11	3.88	4.55	5.79	6.57	8.15	9.33	13.78	13.56
Flange Dimensions	f	0.08	0.08	0.08	0.08	0.08	0.08	0.08	0.08
	D	4.92	5.91	7.09	7.48	9.06	11.02	13.58	15.94
	G	2.87	3.63	4.13	5.00	6.19	8.50	10.63	12.75
	C	3.87	4.75	5.50	6.00	7.50	9.50	11.75	14.25
	T	0.05	0.56	0.63	0.69	0.88	0.94	1.06	1.13
	N	4.00	4.00	4.00	4.00	8.00	8.00	8.00	12.00
	M	0.63	0.75	0.75	0.75	0.88	0.94	0.88	1.00
Wt. (lbs.)	10.4	17.2	25.6	35.9	62.4	103.6	167.6	295.9	430.8



Title: 150# Stainless Steel Swing Check Valve						THIS DRAWING CONTAINS CONFIDENTIAL AND PROPRIETARY INFORMATION OF FNW VALVE AND IS SUBMITTED TO YOU FOR THE LIMITED PURPOSE OF PROVIDING YOU INFORMATION ON PRODUCTS AND SYSTEMS PURCHASED FROM FNW VALVE. BY RECEIVING THIS DOCUMENT, YOU AGREE NOT TO DISCLOSE SUCH INFORMATION TO OTHERS EXCEPT BY WRITTEN PERMISSION.
Date: 8-25-15	By: Ca	App'd: Mike	Units: In.	Scale: None	Rev Date:	
File: 471A.pdf	Model: 471A	DWG NO:	Rev: 0			