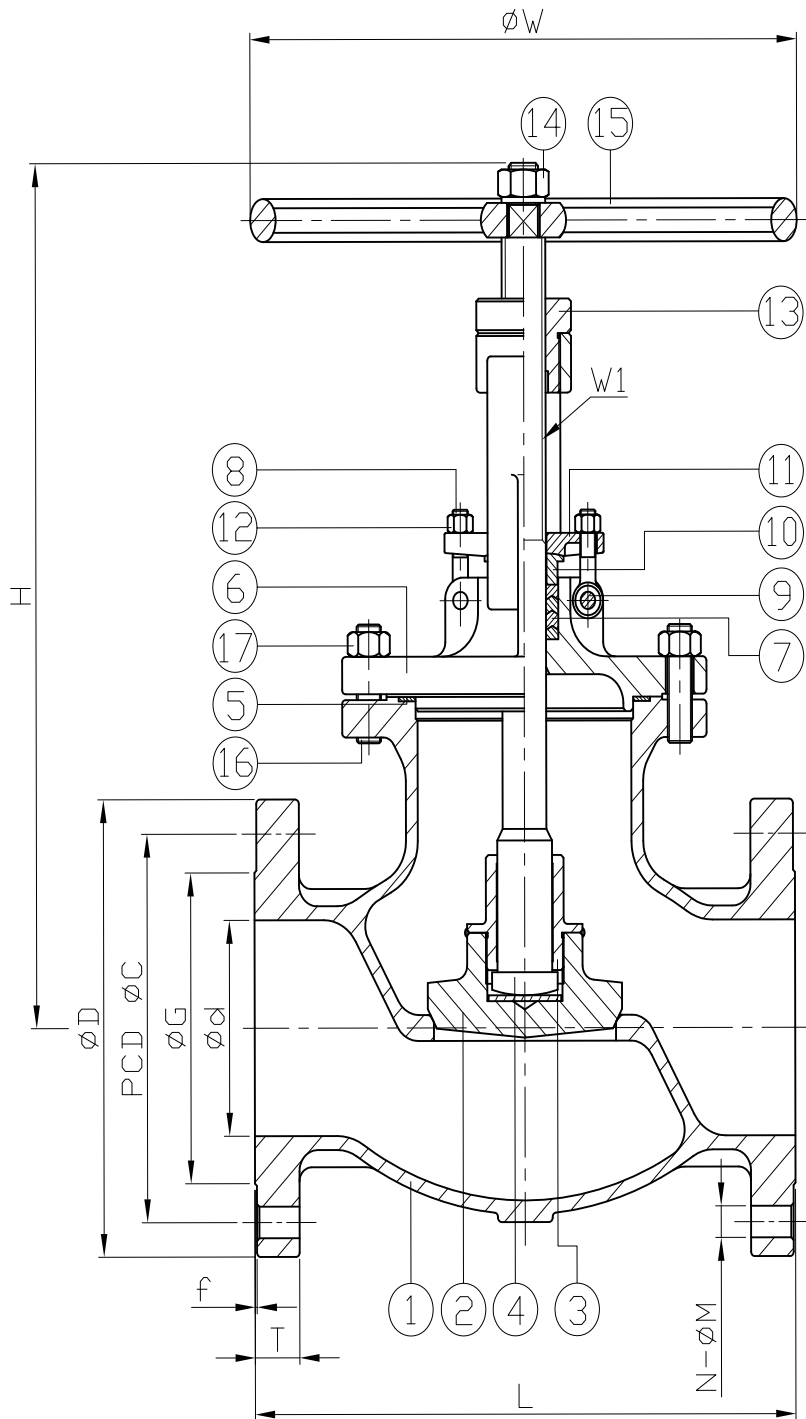


Figure 462A

300# Stainless Steel Globe Valve



NOTES:

- CF8M Seat is Integral to body
- Investment Cast Body up to 8"
- Design per API 603
- Pressure/Temperature Rating per ANSI B16.34
- Flange Dimensions per ANSI B16.5
- Face to Face Dimensions per ANSI B16.10
- Pressure Tested per API 598

No.	Parts	Material
1	Body	ASTM A351-CF8M
2	Disc	
3	Disc Cover	
4	Stem	ASTM A276-316
5	Gasket	PTFE
6	Bonnet	ASTM A351-CF8M
7	Packing	PTFE
8	Gland Bolt	ASTM A193-B8
9	Hinge Pin	AISI 304
10	Gland Ring	
11	Gland Flange	ASTM A351-CF8M
12	Nut	ASTM A194-8
13	Yoke Sleeve	Brass
14	Nut	AISI 304
15	Hand Wheel	ASTM A536 Gr.60-40-18
16	Stud	ASTM A193-B8
17	Nut	ASTM A194-8

Dimensions (inches) & Weights (lbs)

Size	2	2-1/2	3	4	6	8
d	1.97	2.56	3.15	3.94	5.91	7.87
L	10.51	11.50	12.52	14.02	17.48	22.01
H	12.91	13.90	14.41	17.44	23.86	28.23
W	9.84	9.84	11.81	12.60	17.72	19.69
Flange Dimensions	f	0.08	0.08	0.08	0.08	0.08
	D	6.50	7.48	8.27	10.04	12.60
	G	3.63	4.13	5.00	6.19	8.50
	C	5.00	5.87	6.63	7.87	10.63
	T	0.89	1.02	1.14	1.27	1.46
	N	8.00	8.00	8.00	8.00	12.00
	M	0.75	0.88	0.88	0.88	0.88
Wt. (lbs.)	48.1	63.7	81.6	125.0	242.1	410.1



Title: 300# Stainless Steel Globe Valve					
Date: 8-25-15	By: Ca	App'd: Mike	Units: In.	Scale: None	Rev Date:
File: 462A.pdf		Model: 462A	DWG NO:	Rev: 0	

THIS DRAWING CONTAINS CONFIDENTIAL AND PROPRIETARY INFORMATION OF FNW VALVE AND IS SUBMITTED TO YOU FOR THE LIMITED PURPOSE OF PROVIDING YOU INFORMATION ON PRODUCTS AND SYSTEMS PURCHASED FROM FNW VALVE. BY RECEIVING THIS DOCUMENT, YOU AGREE NOT TO DISCLOSE SUCH INFORMATION TO OTHERS EXCEPT BY WRITTEN PERMISSION.