

FIGURE 426A

Ref. No.	Description	Material	Qty
1	Body	ASTM B124-C37700 Brass	1
2	Ball	ASTM B16-C36000 Brass (Nickel-Chrome Plated)	1
3	End Cap	ASTM B124-C37700 Brass	1
4	Seat	PTFE	2
6	Stem	ASTM B16-C36000 Brass	1
7	Stem Packing	PTFE	1
8	Handle	ASTM A283-D Steel (Zinc Plated)	1
9	Handle Sleeve	Vinyl	1
11	Packing Gland	ASTM B16-C36000 Brass	1
13	Handle Nut	AISI-1010 Steel (Zinc Plated)	1
30	Cap Nut	ASTM B124-C37700 Brass	1
31	Cap Nut Seal	NBR Rubber	1
32	Ring	ASTM S30400 Stainless	2
33	Chain	Brass (Plated)	1
34	Plate	ASTM S43000 Stainless	2

Figure	Size	ØD	E	H	L	L1	L2
426	1/2	0.50	2.95	1.50	2.83	0.50	0.44
	3/4	0.75	3.94	1.85	3.15	0.76	0.44
427	1/2	0.50	2.95	1.50	2.72	0.50	0.44
	3/4	0.75	3.94	1.85	3.27	0.76	0.44
428	1/2	0.50	2.95	1.50	2.87	0.50	0.44
	3/4	0.75	3.94	1.85	3.27	0.76	0.44

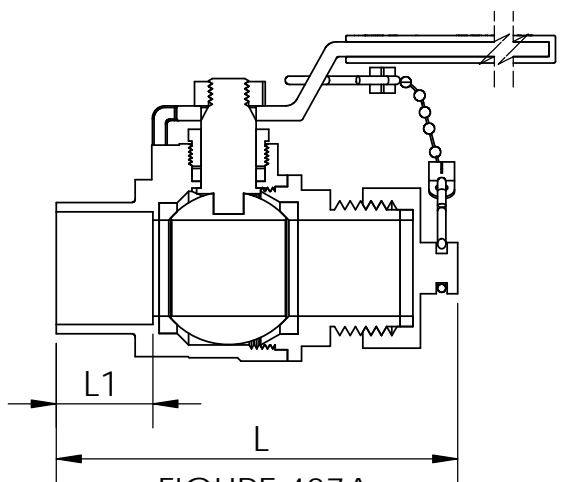
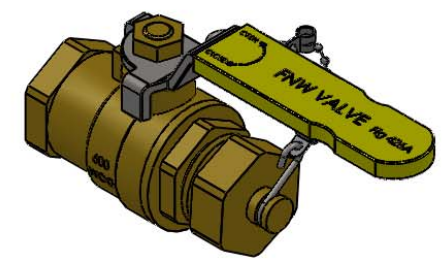


FIGURE 427A

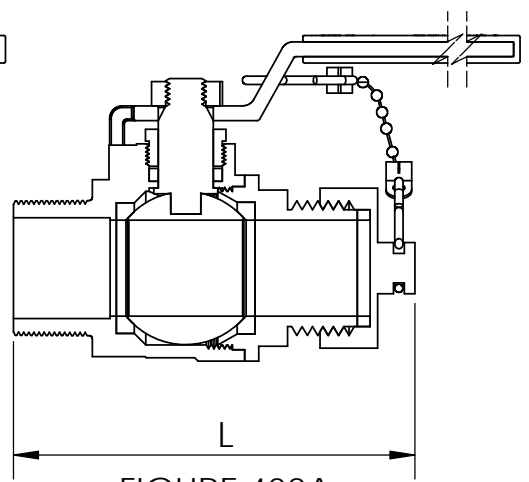


FIGURE 428A

FNW™		4120 NE Columbia Blvd Portland, OR 97211 Phone (503)287-8383 Fax (503)281-9677
TITLE/DESCRIPTION FIG. 426A, 427A, 428A 600 WOG BRASS CAP AND CHAIN BALL VALVE		
DATE: 11-10-2011	BY: PEA	NUMBER: 426A-427A-428A_050-075
REV: 0	APVD:	
CONFIDENTIAL AND PROPRIETARY INFORMATION BELONGING TO FNW VALVE. SUBMITTED FOR THE LIMITED PURPOSE OF PROVIDING INFORMATION ON PRODUCTS AND SYSTEMS. BY RECEIVING THIS DOCUMENT, YOU AGREE NOT TO DISCLOSE SUCH INFORMATION TO OTHERS EXCEPT BY WRITTEN PERMISSION OF FNW VALVE.		
UNITS: INCHES	SCALE: NTS	PAGE 1 OF 1