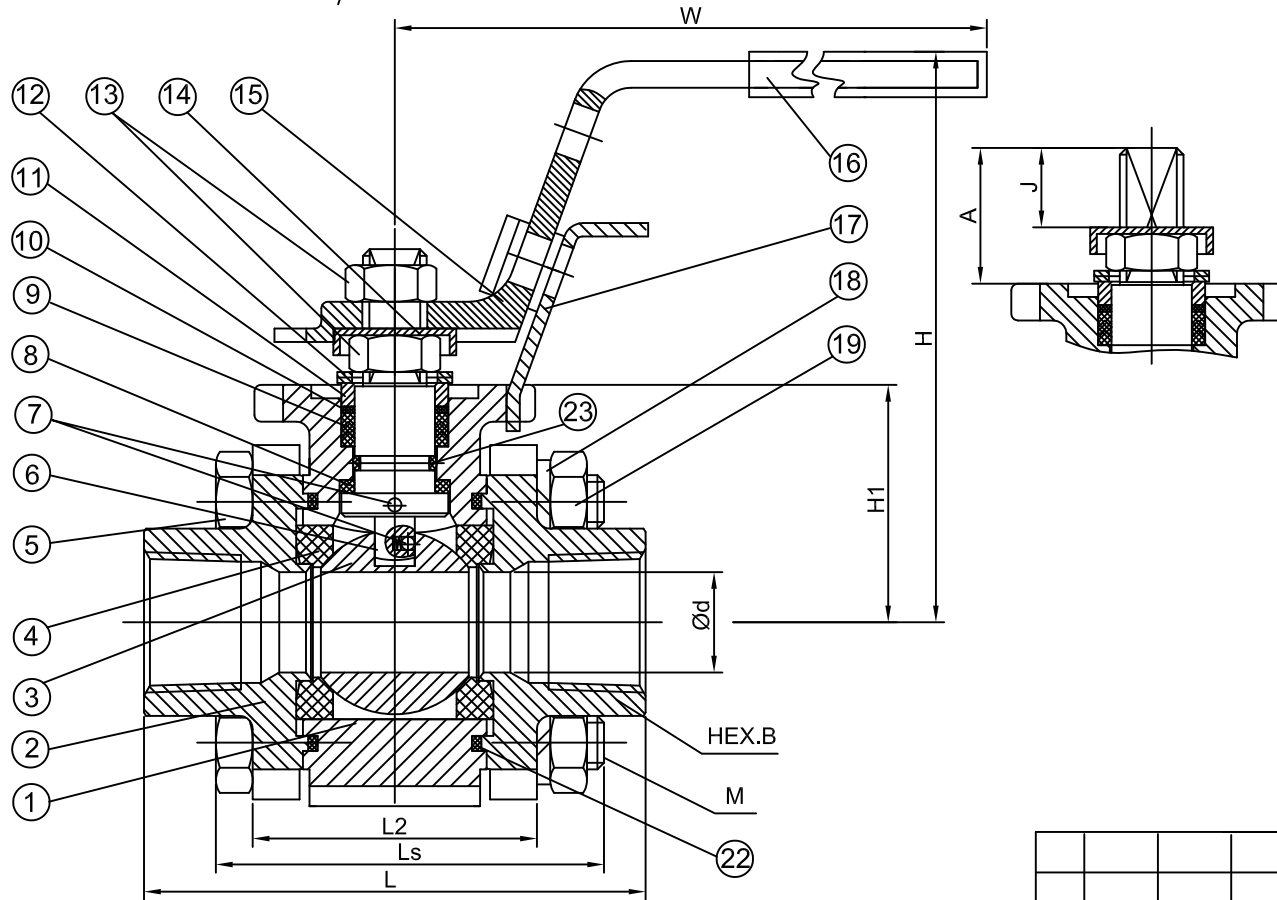


APPLICABLE STANDARDS:  
 Design: ASME B16.34, MSS SP-110  
 Pipe Thread: ASME B1.20.1  
 Seat/Shell Test: MSS SP-110



23	O-Ring	FKM	1
22	Body Gasket	PTFE	2
21	Stop washer	304SS	1
20	Stop Bolt	A193-B8	1
19	Bolt Nut (1/4"~1 1/4")	A194-8	4
18	Bolt washer	304SS	4(1/4"~1 1/4"), 8(1 1/2"~2")
17	Lock Device	304SS	1
16	Handle Sleeve	VINYL PLASTIC	1
15	Handle	304SS	1
14	Stop-lock-Cap	304SS	1
13	Stem Nut	A194-8	2
12	Belleville Washer	301SS	2
11	Gland	316SS	1
10	Bushing	50%SS+50%PTFE	1
9	V-Ring Stem Packing	PTFE	1 Set
8	Thrust washer	TFM4215	1
7	AntiStatic Device	316SS	2
6	Stem	316SS	1
5	Bolting	A193-B8	4(1/4"~1 1/4"), 8(1 1/2"~2")
4	Ball Seat	TFM1600+20%GF	2
3	Ball	316SS	1
2	End Cap(Thread)	ASTM A216 Gr.WCB	2
1	Body	ASTM A216 Gr.WCB	1
Ref.No.	Description	Material	Qty.

■ DIMENSION TABLE

Pressure	New FNW Code	Size	Ød	L	H1	H	W	ØE	S	U	A	J	K	Ls	L2	M	HEX.B
2000CWP	FNW321AB	1/4"	0.42	2.76	1.18	2.99	5.31	1.65	0.25	M5	0.68	0.41	3/8-24UNF	2.13	1.61	1/4-20UNC	0.93
	FNW321AC	3/8"	0.50	2.76	1.18	2.99	5.31	1.65	0.25	M5	0.68	0.41	3/8-24UNF	2.13	1.61	1/4-20UNC	0.93
	FNW321AD	1/2"	0.59	2.95	1.42	3.27	5.31	1.65	0.25	M5	0.80	0.46	3/8-24UNF	2.44	1.83	5/16-18UNC	1.10
	FNW321AF	3/4"	0.79	3.15	1.56	3.27	5.31	1.65	0.25	M5	0.80	0.46	3/8-24UNF	2.74	2.05	3/8-16UNC	1.34
	FNW321AG	1"	0.98	3.54	1.79	3.86	6.69	1.97	0.35	M6	0.92	0.49	9/16-18UNF	3.18	2.36	3/8-16UNC	1.81
1500CWP	FNW321AH	1-1/4"	1.25	4.33	1.97	4.06	6.69	1.97	0.35	M6	0.92	0.49	9/16-18UNF	3.86	2.76	1/2-13UNC	2.17
	FNW321AJ	1-1/2"	1.50	4.72	2.36	4.33	7.87	2.76	0.38	M8	1.18	0.59	5/8-18UNF	4.12	3.24	1/2-13UNC	2.24
	FNW320AK	2"	1.95	5.51	2.68	4.69	7.87	2.76	0.38	M8	1.18	0.59	5/8-18UNF	4.90	3.68	5/8-11UNC	2.87

Unit: inch

							1/4"~2" 1500-2000CWP 3PC Ball Valve Assembly Drawing FNW 321A		Material NO.			
									Draw. NO.		321A	
Mark	Amount	Subarea	Revision NO.	Signature	Date	Projection		Material	CF8M	Edition	6	
Drawing		hm.huang	2011.1.27	Recheck		Proportion		Weight		Page of		
Design												
Check												
Standardization				Approve								