

Fig No: **220SE**

**MATERIALS LIST**

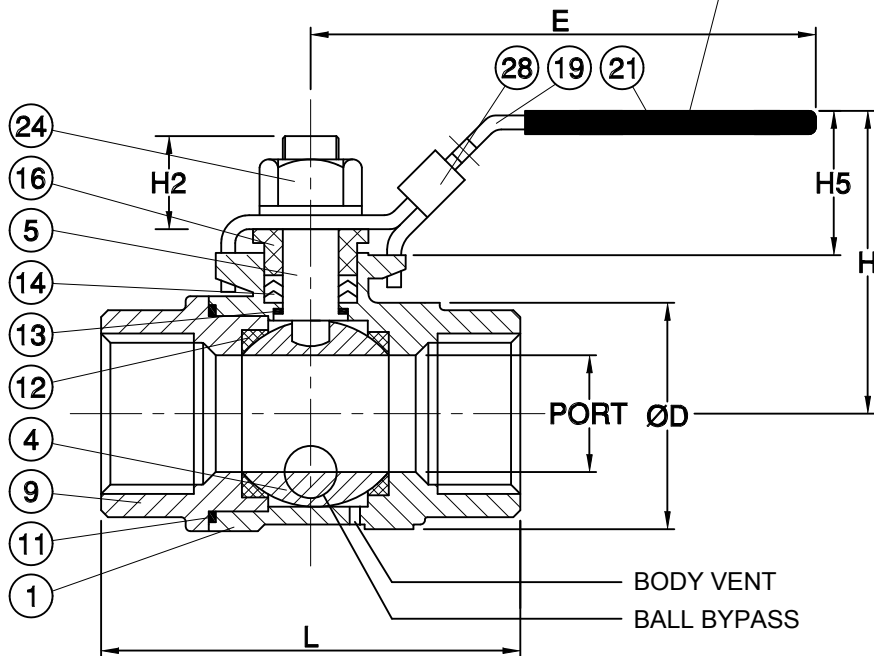
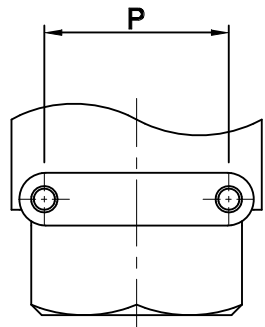
NO.	PART NAME	MATERIAL
1	BODY	ASTM A351 Gr.CF8M
4	BALL	ASTM A351 Gr.CF8M
5	STEM	SS316
9	END CAP	ASTM A351 Gr.CF8M
11	BODY SEAL	PTFE.
12	SEAT	RTFE.
13	THRUST WASHER	PTFE.
14	STEM PACKING	PTFE.
16	GLAND NUT	SS304
19	HANDLE	SS304
21	HANDLE COVER	PLASTIC
24	HANDLE NUT	SS304
28	LOCKING DEVICE	SS304

**DIMENSIONS**

		unit:mm						
SIZE	PORT	L	E	H	H2	H5	P	
DN15	1/2"	15.0	75.0	123.0	58.8	12.4	28.5	
DN20	3/4"	20.0	80.0	123.0	62.5	12.2	35.0	
DN25	1"	25.0	90.0	145.0	69.3	17.7	35.0	

WORKING PRESSURE: 150 PSI

**Handle Graphic Orientation**



CODE	APPROVED BY.	CHECK BY.	DRAWN BY.	DRAWINGNO.	MATERIAL	UNIT	DESCRIPTION
<b>FNW</b> ™	SIGN				MATERIALS LIST	mm	2 2 2
	DATE				SCALE	FREE	2 2 2 2 2