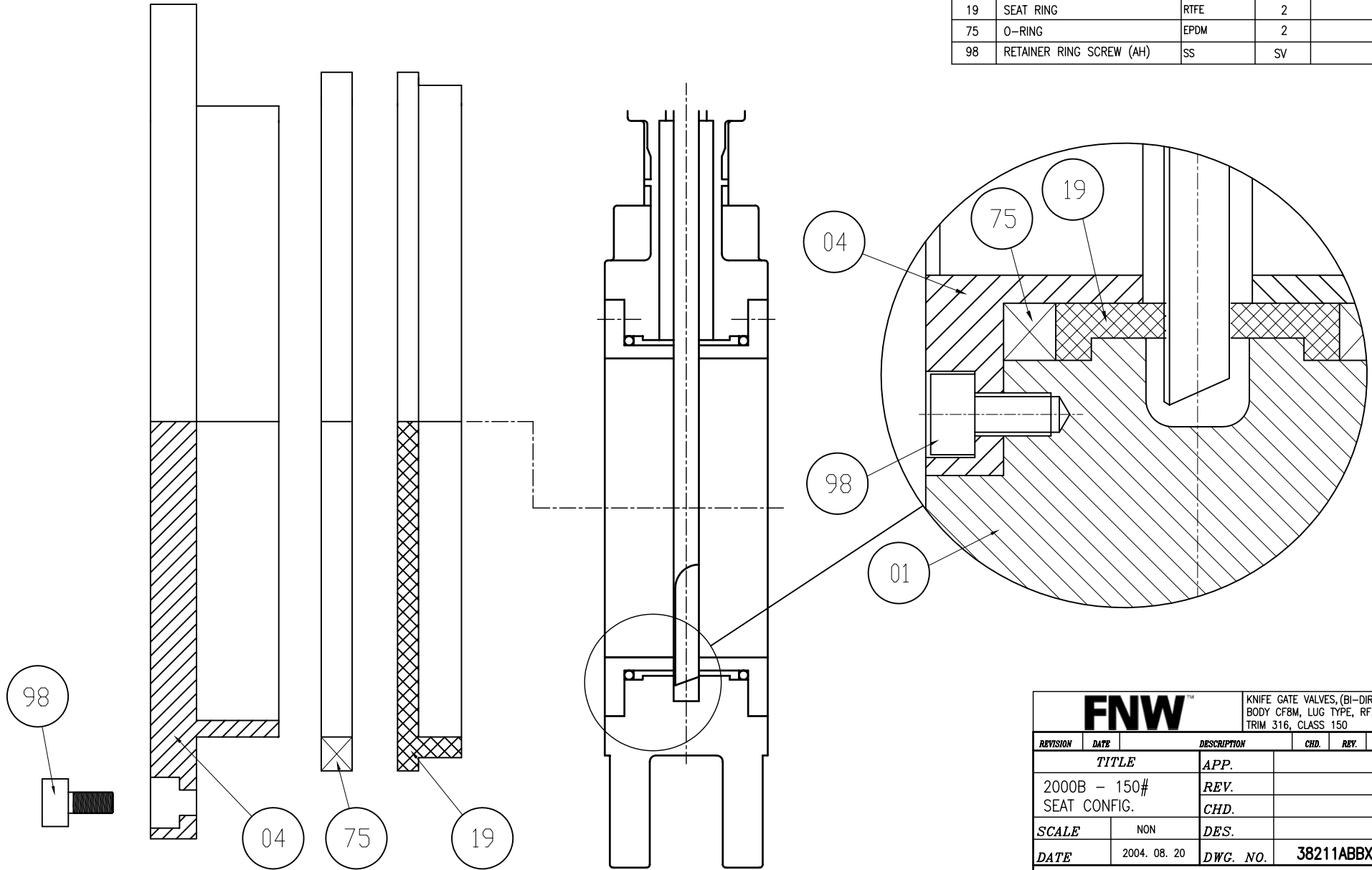


NO.	DESCRIPTION	MAT'L	Q'TY	REMARK
01	BODY	A351 CF8M	1	
04	RETAINER	A351 CF8M	1	
19	SEAT RING	RTFE	2	
75	O-RING	EPDM	2	
98	RETAINER RING SCREW (AH)	SS	SV	



FNW TM		KNIFE GATE VALVES, (BI-DIRECTION) BODY CF8M, LUG TYPE, RF, TRIM 316, CLASS 150			
REVISION	DATE	DESCRIPTION	CHD.	REV.	APP.
TITLE		APP.			
2000B - 150# SEAT CONFIG.		REV.			
		CHD.			
SCALE	NON	DES.			
DATE	2004. 08. 20	DWG. NO.	38211ABBX		
ANSI B (17x11)					