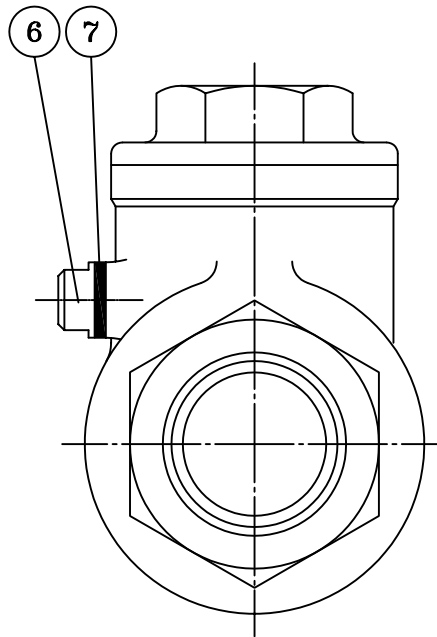
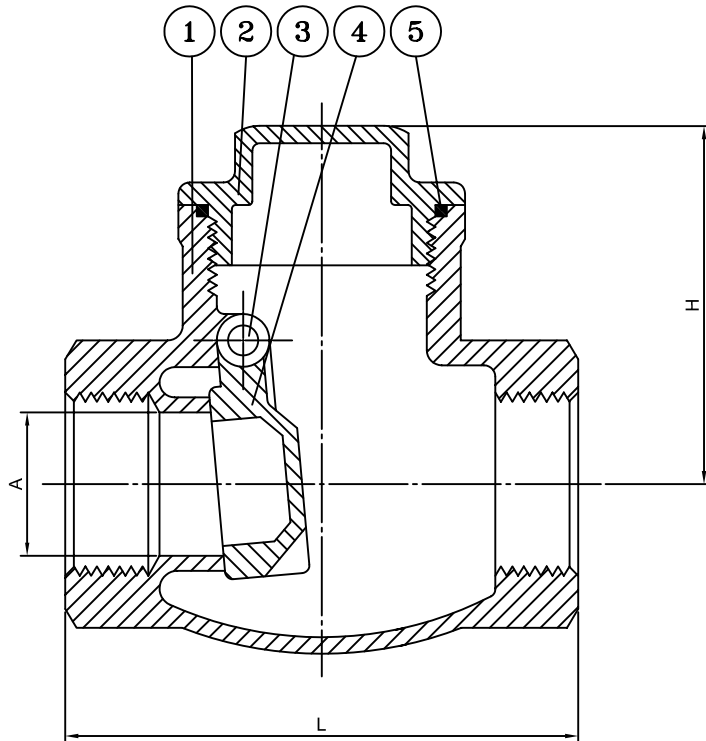


Fig No: F16B-200

MATERIALS LIST

NO	PART NAME	MATERIAL	Q,TY
1	BODY	ASTM A351 Gr.CF8M	1
2	CAP	ASTM A351 Gr.CF8M	1
3	HANGER PIN	SS316	1
4	DISC	ASTM A351 Gr.CF8M	1
5	PACKING	TEFLON	1
6	PLUG	SS316	1
7	PLUG GASKET	TEFLON	1



DIMENSIONS inch

SIZE	A	H	L
3/8"	0.51	1.65	2.56
1/2"	0.59	1.65	2.56
3/4"	0.79	2.01	3.15
1"	0.98	2.36	3.54
1-1/4"	1.26	2.60	4.13
1-1/2"	1.57	2.95	4.72
2"	1.97	3.15	5.51
2-1/2"	2.56	3.66	7.09
3"	3.15	4.09	7.87

FNW™

	APPROVED BY.	CHECK BY.	DRAWN BY.	DRAWING NO.	MATERIAL	UNIT	DESCRIPTION
SIGN				16B-200-D		INCH	HORIZONTAL SWING TYPE CHECK VALVE THREADE END 200PSI
DATE				REVISION 01 07/04/2002	SCALE	FREE	