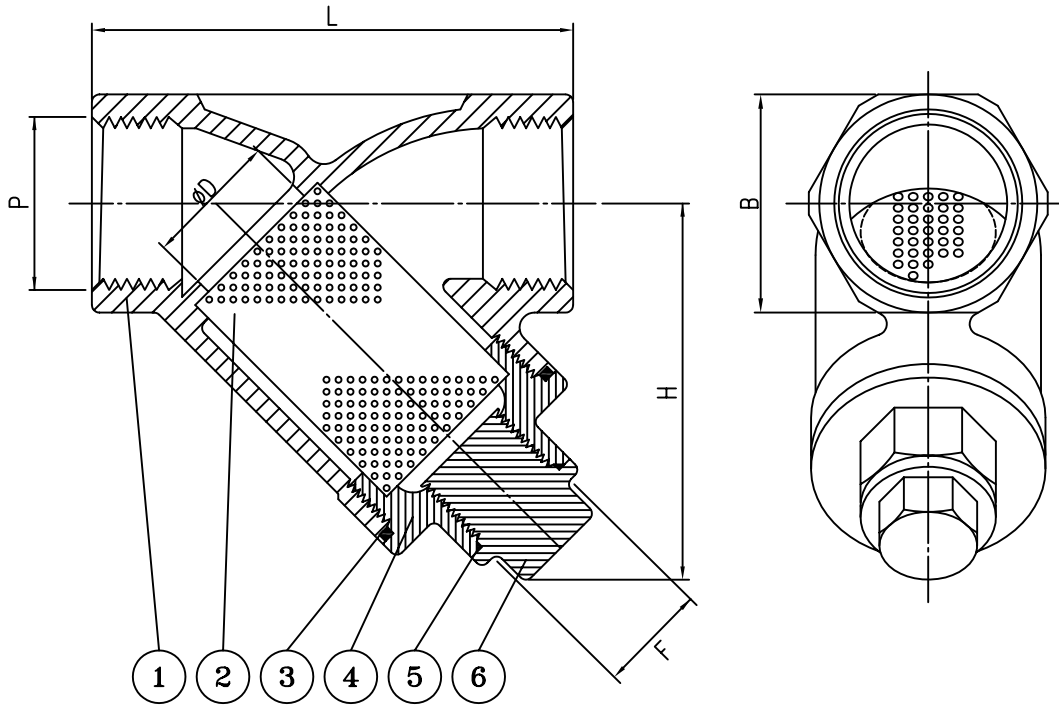
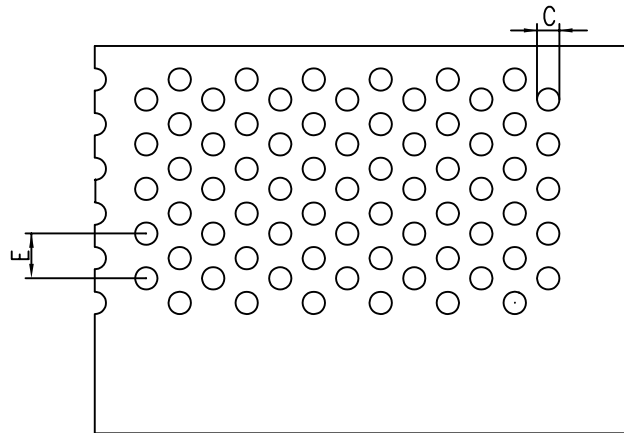


Fig No: #14B-YSS



DIMENSION INCHES

| SIZE | øD | L | H | B | C | E | F | P |
|--------|------|------|------|------|------|------|---------|-----------|
| 1/2" | 0.59 | 2.56 | 1.89 | 1.02 | .039 | .079 | 1/4 NPT | 1/2 NPT |
| 3/4" | 0.79 | 3.15 | 2.17 | 1.30 | .039 | .079 | 1/4 NPT | 3/4 NPT |
| 1" | 0.98 | 3.54 | 2.76 | 1.61 | .039 | .079 | 1/2 NPT | 1 NPT |
| 1-1/4" | 1.26 | 4.13 | 2.91 | 1.93 | .039 | .079 | 1/2 NPT | 1-1/4 NPT |
| 1-1/2" | 1.58 | 4.72 | 3.23 | 2.21 | .039 | .079 | 1/2 NPT | 1-1/2 NPT |
| 2" | 1.97 | 5.51 | 3.74 | 2.72 | .039 | .079 | 1/2 NPT | 2 NPT |



MATERIAL LIST

| NO | PART NAME | MATERIAL | Q.TY |
|----|-----------|---------------------|------|
| 1 | BODY | ASTM A-351 GR. CF8M | 1 |
| 2 | SCREEN | SS316 | 1 |
| 3 | GASKET | PTFE | 1 |
| 4 | BONNET | ASTM A-351 GR. CF8M | 1 |
| 5 | O-RING | VITON | 1 |
| 6 | BLOW OFF | ASTM A-351 GR. CF8M | 1 |

FNWTM

| | APPROVED BY. | CHECK BY. | DRAWN BY. | DRAWING NO. | MATERIAL | UNIT | DESCRIPTION | |
|------|--------------|-----------|-----------|-------------|------------|-------|--------------------------------|------|
| SIGN | | | | YSS200-D | | INCH | Y-STRAINER THREADED END,800PSI | |
| DATE | | | | REVISION | 04 | SCALE | | FREE |
| | | | | | 03/22/2007 | | | |